

## The FARO Laser Tracker Xi

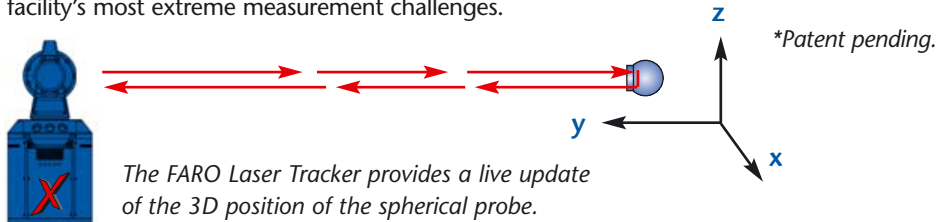
The FARO Laser Tracker Xi V2 adds higher accuracy and expanded temperature range. The FARO Laser Tracker Xi V2 is a portable contact measurement system which uses laser technology to accurately measure large parts and machinery across a wide range of industrial applications. It has a 70m (230-foot) range, achieves 0.025mm (0.001") accuracy, and runs in two-distance measurement Modes: XtremeADM (Absolute Distance Measurement) and Interferometer; making it the most accurate and flexible Laser Tracker system. In addition, the FARO Laser Tracker Xi V2 has many advanced exclusive performance features:

**XtremeADM\***: The GPS calibrated XtremeADM is twice as accurate as before. It adds high-speed measurement to FARO's advanced break-the-beam technology, making it the most accurate and versatile ADM system available.

**Smart Warm-Up**: Runs automatically when the Tracker is switched on, and heats it to a stable temperature in half the time of the previous model. Reduces downtime; begin measuring more quickly.

**Self Comp\***: This five minute automatic compensation routine ensures the highest accuracy regardless of where the tracker is mounted.

The system measures 3D coordinates with its laser by following a mirrored spherical probe. With high accuracy angular encoders and XtremeADM - Absolute Distance Measurement, it reports the 3D position of the probe in real-time. It enables manufacturing, service, engineering, and quality control professionals to measure and align large parts, assemblies, and machinery on-site, in-process, or wherever it's most efficient and cost-effective. With the exclusive technology in the Xi, the FARO Tracker is even more battle-ready for your facility's most extreme measurement challenges.



*XtremeADM® and Interferometer now twice as accurate as before*

*Meet the most challenging accuracy requirements*

*Self-Comp*

*Quick automatic compensation ensures high accuracy*

*Newly expanded operating temperature, Smart Warm-Up, & Active Thermal Compensation*

*Ready for all environments*

*Integrated Weather Station and Precision Level*

*Full featured standard equipment*

*Certified Precision Probes*

*Mounts vertically, horizontally, or upside down*

*Versatility in tight or congested shop areas*



## System Specifications

Head size 280 x 554 mm (11 x 21.8 in)  
 Head weight 20 kg (44 lbs)  
 Controller size 160 x 180 x 280 mm  
 (6 x 7 x 11 in)  
 Controller weight 5 kg (12 lbs)

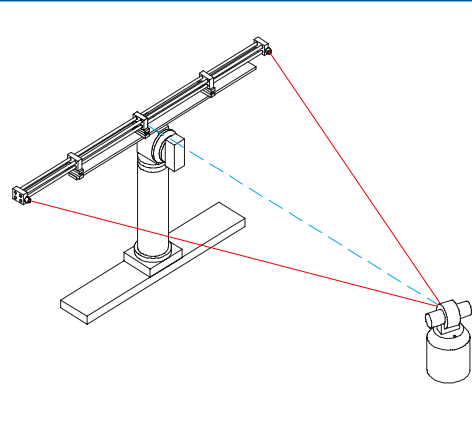
- *\*Typical Accuracy shown is half the Maximum Permissible Error (MPE) and variation in air temperature is not included. MPE and all accuracy specifications are calculated per ASME B89.4.19 Standard.*

- *Specifications, descriptions, and technical data may be subject to change.*

## Point to Point Typical Accuracy \*

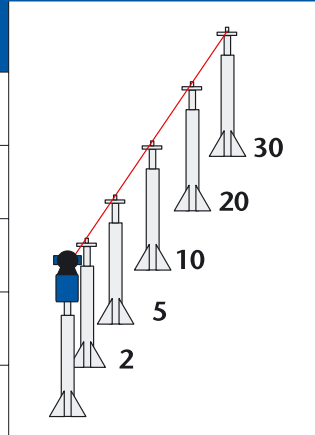
### Horizontal Scale Bar Measurement

Range (m)	XADM (mm)	IFM (mm)
2	0.032	0.031
5	0.046	0.046
10	0.068	0.068
20	0.110	0.110
30	0.153	0.153
35	0.174	0.174



### In-Line Distance Measurement

Length (m)	XADM (mm)	IFM (mm)
2 to 5 m	0.011	0.005
2 to 10 m	0.013	0.005
2 to 20 m	0.017	0.009
2 to 30 m	0.021	0.013
2 to 35 m	0.023	0.015



## Range

Horizontal envelope +/- 270°  
 Vertical envelope +75 to -50  
 Minimum working range 0 m  
 Maximum working range 70 m (230-ft.) diameter

## Angle Measurement Performance\*

Angular accuracy 18µm + 3µm/m  
 Maximum angular velocity 180°/sec  
 Precision Level Accuracy +/- 2 arcseconds

## Distance Measurement Performance\*

**XtremeADM**  
 Resolution 0.5µm  
 Sample rate 10,000 samples/sec  
 Accuracy 10µm + 0.4µm/m

**Interferometer**  
 Resolution 0.158µm  
 Accuracy 2µm + 0.4µm/m  
 Maximum radial velocity 4m/sec  
 R0 Parameter 10 µm

## Environmental

Altitude -700 to 2450 meters  
 Humidity 0 to 95% non-condensing  
 Operating Temperature -15°C (5°F) to 50°C (122°F)

From design to production, large scale to detail,  
 more manufacturers choose FARO — the global standard for portable  
 computer-aided manufacturing measurement.



Guide 25 Approved

USA: Charlotte, Chicago, Columbus,  
 Dallas, Detroit, L.A., Orlando, Philadelphia, Seattle  
 Canada: Ontario, Quebec



Europe: Benelux, France, Germany, Italy, Poland, Spain, Swiss, UK  
 Asia: China, India, Japan, Korea  
 South America: Brazil



FARO EUROPE ☎ 00800 3276 7253